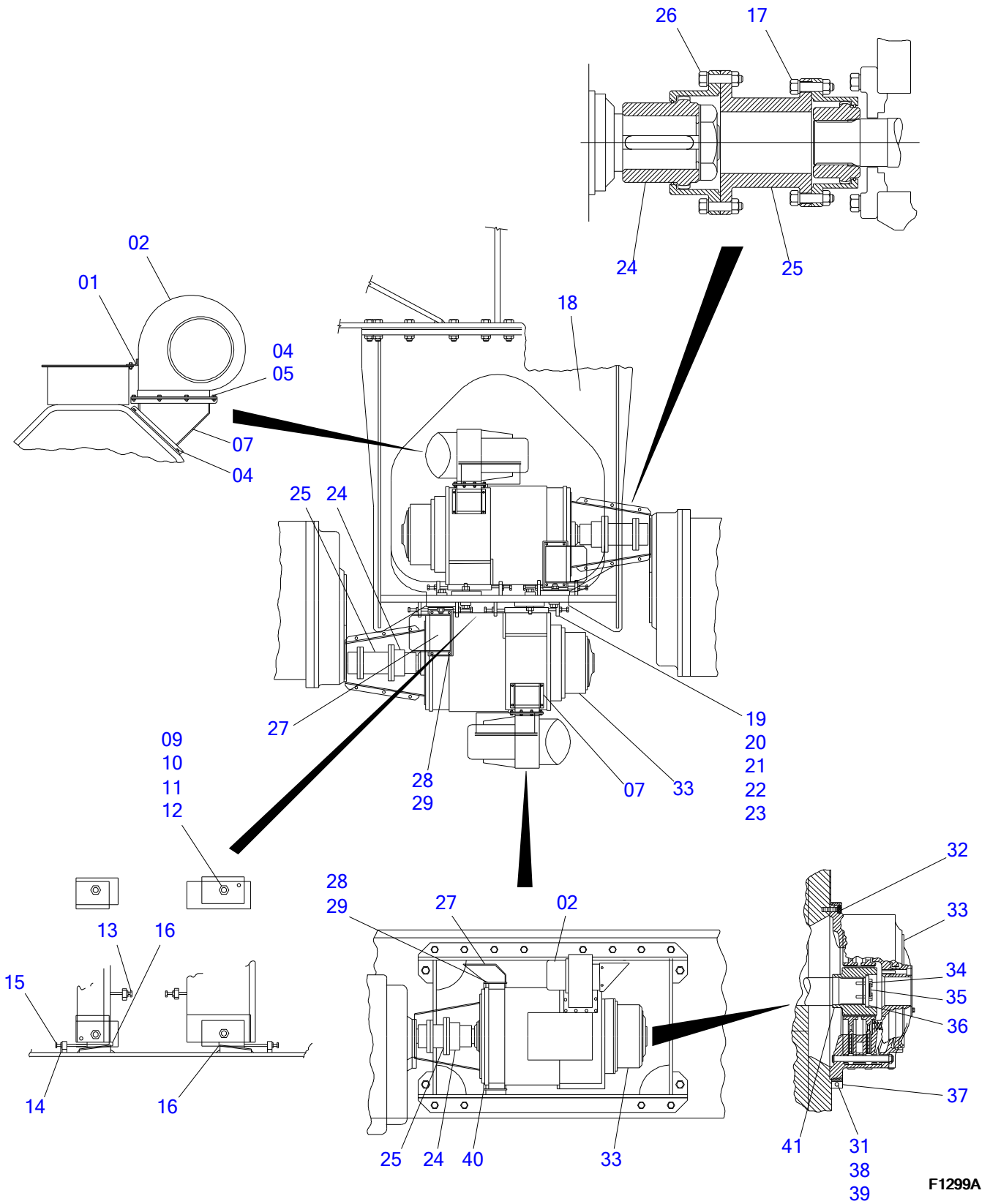


MOTOR MOUNTING, PROPEL



MOTOR MOUNTING, PROPEL

Item	Part No.	Description	Qty.	Page
--	100J5942F1	MOTOR MOUNTING, PROPEL		
01	16P7066	• SUPPORT, Blower	2	
02	R21161D1F1	• BLOWER, Propel Motor	1	183
(NOTE: Blower is not included with Motor Mounting)				
03		NOT USED		
04	20Z1703D67	• SCREW, Flanged Lock	32	
05	20Z1704D5	• NUT, Locking Flange	24	
06		NOT USED		
07	R35489D1	• DUCT, Air, Blower	2	
08		NOT USED		
09	20Q259D694	• SCREW, Hex Hd Cap	8	
10	20Q270D96	• NUT, Hex	8	
11	18Z694D14	• WASHER, Hardened	8	
12	18T17620	• WASHER	8	
13	20H3169D216	• BOLT, Tap	4	
14	20Q272D48	• NUT, Jam	8	
15	20H3169D222	• BOLT, Tap	4	
16	16T9204	• WEDGE	4	
17	20U41D5	• ACCESSORY SET, Coupling (For 18N2391D1 Transmission Coupling)	2	
		• • NUT AND BOLT, Coupling	8	
		• • SEAL, Coupling	2	
		• • GASKET, Coupling	1	
		• • PLUG, Lube	4	
18	16J1410	• BASE, Propel Motor	1	
(NOTE: Base is not included with Motor Mounting)				
19	20T9707D1	• SHIM	16	
20	20T9707D2	• SHIM	16	
21	20T9707D3	• SHIM	24	
22	20T9707D4	• SHIM, 14 Ga	16	
23	20T9707D5	• SHIM, 18 Ga	16	
24	18U271D1	• COUPLING HALF (Propel Motor)	2	
NOTE! COUPLING HALF FROM TRANSMISSION ASSEMBLY IS NOT PART OF THE PROPEL MOTOR MOUNTING,				
	18N2391D1	• COUPLING HALF (From Transmission Input Shaft)(Not Part of This Assembly)	1	
25	14N2722D2	• SPACER	2	
26	20U41D6	• ACCESSORY SET, Coupling (For 18U271D1 Propel Motor Coupling)	2	
		• • NUT AND BOLT, Coupling	8	
		• • SEAL, Coupling	2	
		• • GASKET, Coupling	1	
		• • PLUG, Lube	4	
27	14J1604	• ELBOW, Exhaust	2	

MOTOR MOUNTING, PROPEL

Item	Part No.	Description	Qty.	Page
28	20Q260D226	• SCREW, Hex Hd Cap	8	
29	3643V010	• WASHER, Lock	8	
30		NOT USED		
31	3643V009	• WASHER, Lock	2	
32	0630V102	• SCREW, Hex Skt Hd Cap	24	
33	15R15D7	• BRAKE, Disc	2	184
34	20P1858D329	• SCREW, Drilled Hd Cap	6	
35	017960057	• TIE, Wire	AR	
36	18T17537	• RETAINER, Hub	2	
37	14P3078D1F1	• DUST GUARD, Brake	2	
38	20Q260D201	• SCREW, Hex Hd Cap	2	
39	20Q270D16	• NUT, Hex	2	
40	14P3321	• SCREEN, Exhaust	2	
41	15N788D1	• HUB, Brake	2	